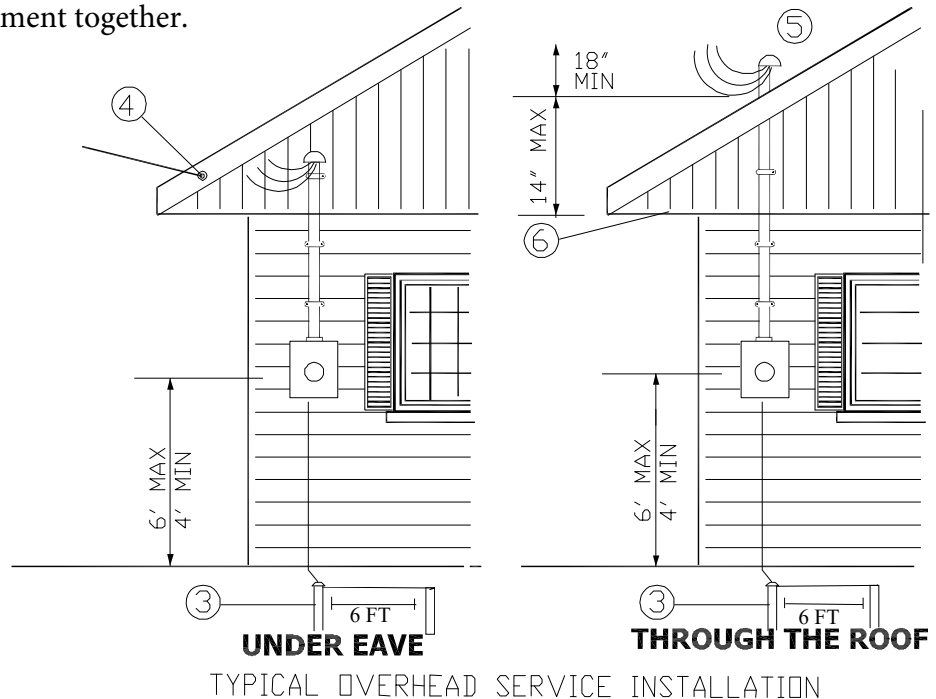
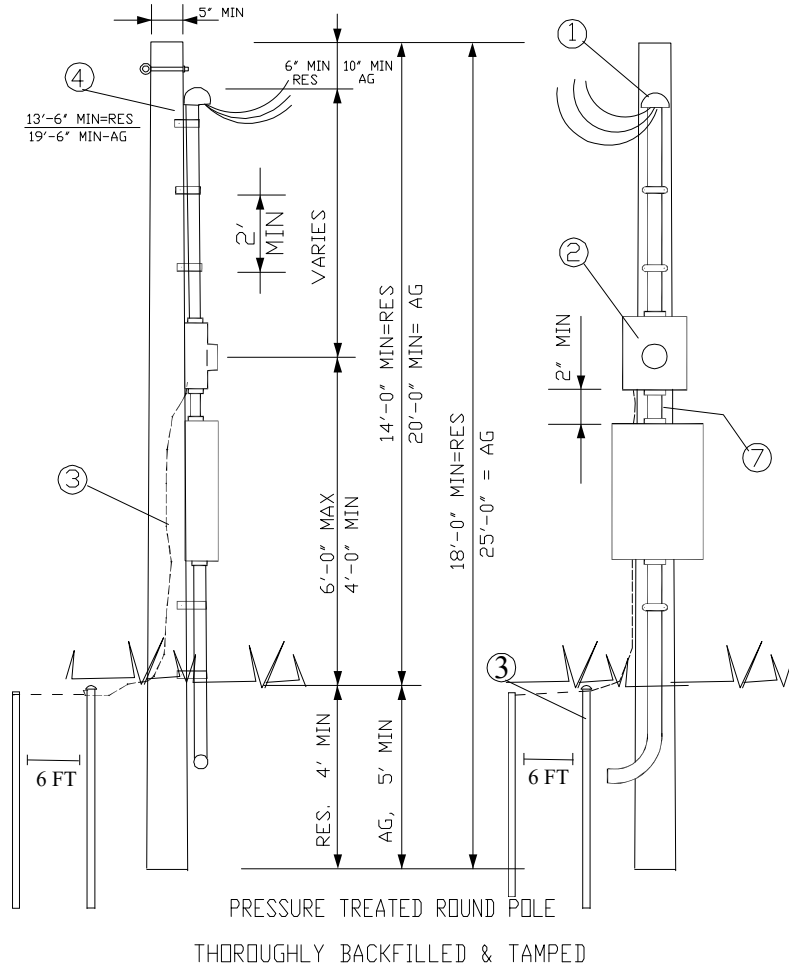


Residential Overhead Requirements

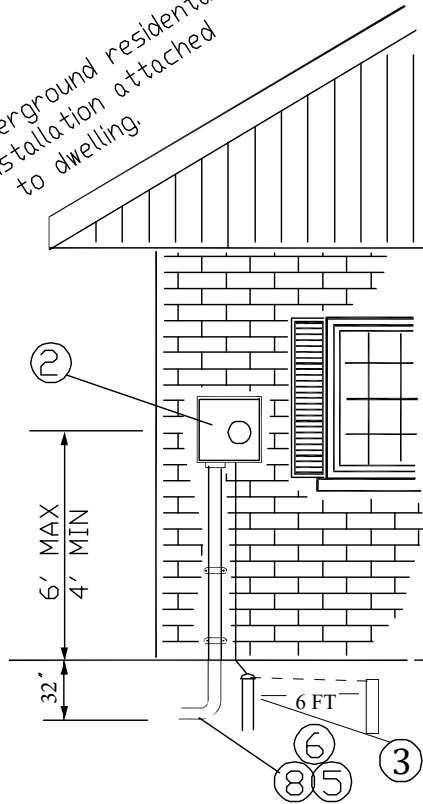
All installations shall meet the requirements of the current edition of the National Electric Code (NEC) and local building authorities. The location of the meter and service entrance equipment is subject to the approval of the Cooperative.

- ① The service entrance capacity shall be sized to accommodate the anticipated load.
- ② The meter pole is supplied by and installed by the member.
- ③ Member must provide adequate grounding in accordance with the NEC and the local building authorities.
- ④ Member must provide a point of attachment for the service conductor to withstand a continuous pull of 200 LBS.
- ⑤ A 2' minimum rigid metal conduit must be installed by the member where the service entrance extends through the roof. The service may cross no more than 4' of roof to the weatherhead. The conduit must withstand 200 LBS of continuous pull.
- ⑥ No more than 14" of un-exposed service entrance conduit may pass through a roof, overhang, or wall.
- ⑦ Use rigid metallic conduit between the meter base and the customer's service equipment to solidly bond the equipment together.

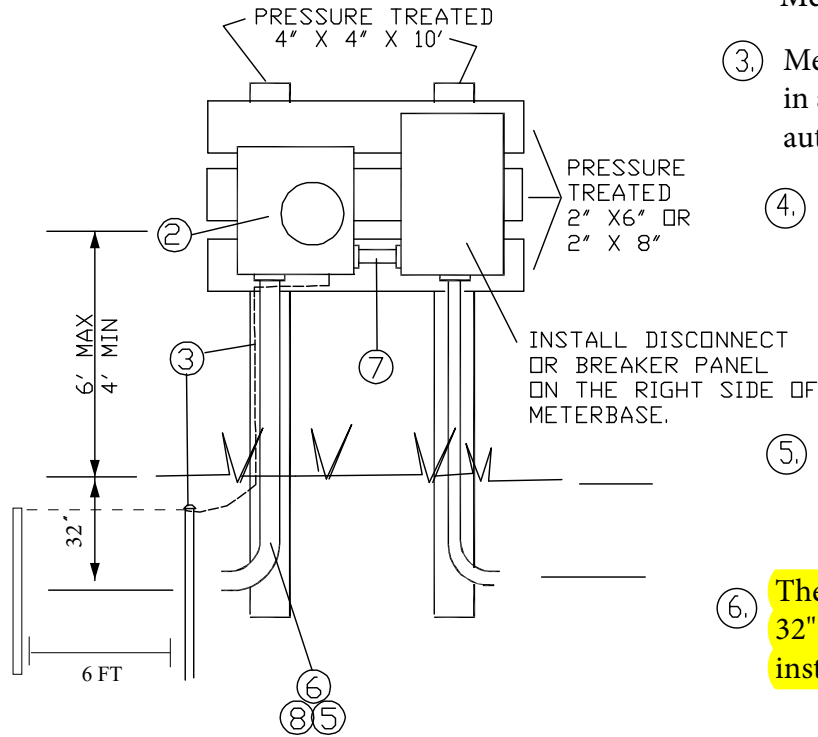


METER & SERVICE SPECIFICATIONS

Typical underground residential service installation attached to dwelling



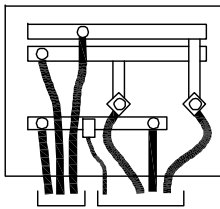
TYPICAL UNDERGROUND SEPERATE FROM DWELLING



METER CONNECTIONS

LEFT

SVEC connections
(Member's wires are prohibited on this side of metercan)



RIGHT

Member connections

**All installations shall meet the requirements of the National Electric Code (NEC) and local building authorities. The location of the meter and service entrance equipment is subject to the approval of SVEC.

- ① The service entrance capacity shall be sized to accommodate the anticipated laSd.
- ② An SVEC approved meterbase must be installed in the SVEC approved location, by Member.
- ③ Member must provide adequate grounding in accordance with NEC and local building authorities.
- ④ Member shall install an underground conduit system per SVEC specifications. Acceptance of conduit must pass SVEC inspection.
- ⑤ Conduit shall be gray electrical 2" or larger schedule 40 PVC on SVEC side of meter.
- ⑥ The conduit must be burried a minimum of 32" deep. At the begining and end of PVC, install 90 degree 36" sweeps. ("Long Sweeps")
- ⑦ Use rigid metallic conduit between meterbase and members service equipment, solidly bonding equipment together.
- ⑧ Conduit must contain a nylon pull line and be capped at exposed ends. Dye type PVC glue and a partial open trench is required for inspection.

Typical Underground Residential Service Installation